



*Specialty Tooling  
Oyster Creek Nuclear  
Generating Plant*

# PROJECT INFORMATION



***Job Scope:*** Relocate failed, individual fuel rods from a storage basket into the DFC (Damaged Fuel Container)



***Engineering approach:*** Using photographs of the failed fuel rods and their respective storage baskets, known dimensions and pre-determined conditions, MLEP engineers designed a series of pneumatically operated grippers to handle the fuel rods. These specialized grippers were built to retrieve the fuel rods by their outside diameter, inside diameter (of broken rods), or from an offset position when physical interferences prohibited in-line grappling. An air-operated hook was deployed to lift two of the three storage baskets. The final storage basket had pre-existing damage preventing removal of some fuel rods as well as the basket itself. MLEP engineers addressed this problem with a hydraulic spreader which mechanically bent the basket handle, providing clearance for the gripper tools to safely retrieve the remaining fuel rods.

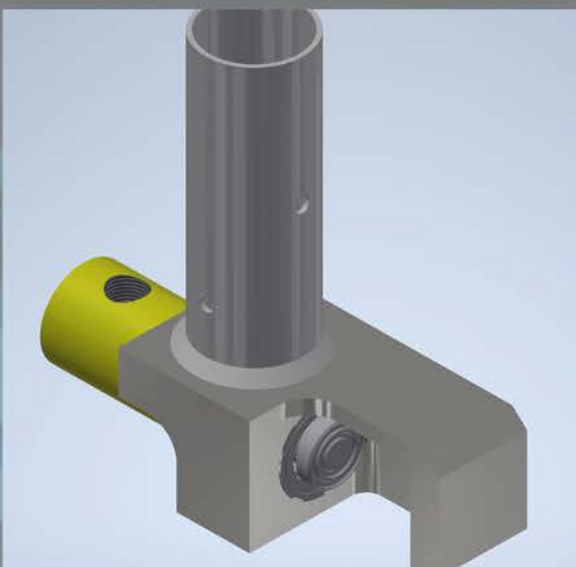
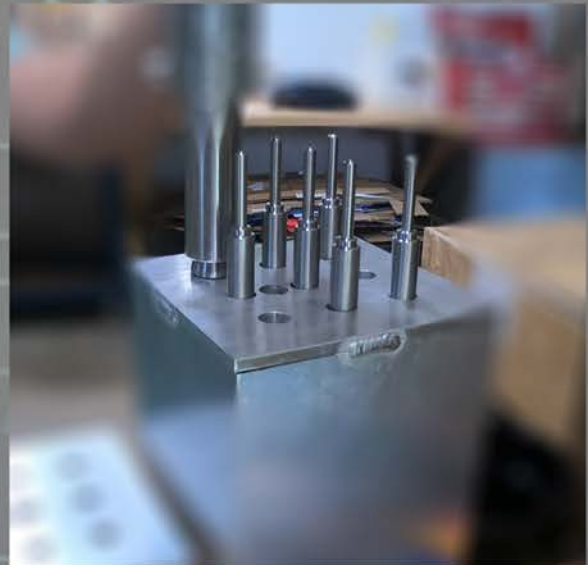
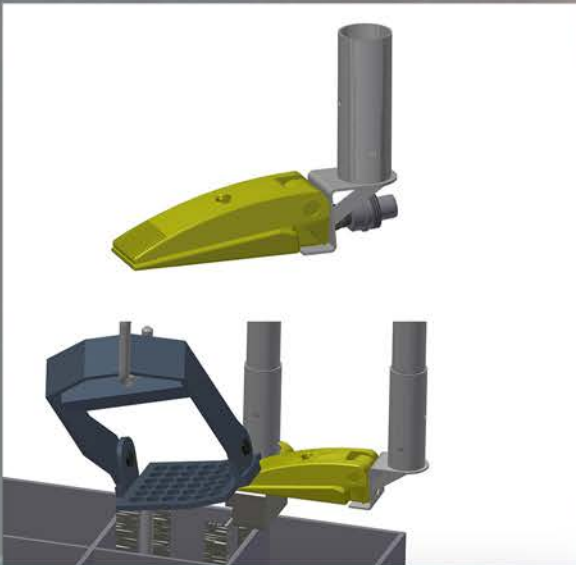



# *Master-Lee Engineered Products Tooling*



## *Project Success:*

*Maintaining an open line of communication between Master-Lee field technicians, Master-Lee engineers, and the customer ensured a timely resolution to all obstacles encountered while still adhering to our high standards of safety and quality. In the end, all fuel rods were safely and expeditiously transferred to their designated containers with minimal tooling and field personnel required.*



The background of the advertisement is a photograph of a wooden workbench. On the bench, there are several hydraulic cylinders of various sizes and configurations. Some are lying horizontally, while others are standing vertically. There are also various fittings, hoses, and other mechanical parts scattered around. The lighting is bright, highlighting the metallic surfaces of the equipment.

*Our customers choose Master-Lee Engineered Products for their practicality, reliability, ease of use and competitive prices. Each design and tool produced has undergone meticulous design review by the Specialists who use the equipment in the field. Our Engineers have extensive experience in field service applications. Our tooling is designed for simplistic operation and reliable service.*

***Master-Lee Engineered Products Inc.***

***5631 Route 981***

***Latrobe, PA 15650***

***800-537-6007 • [mepi-sales@masterlee.com](mailto:mepi-sales@masterlee.com)***