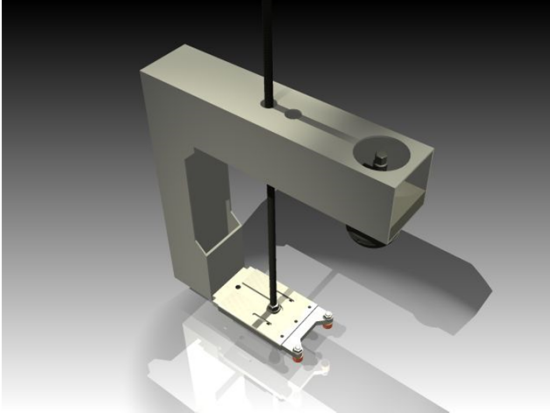


MASTER-LEE ENGINEERED PRODUCTS INC.

RCP SEAL SPECIALTY TOOLING



RCP Perkins Gauge

- Pump shaft and Seal Alignment



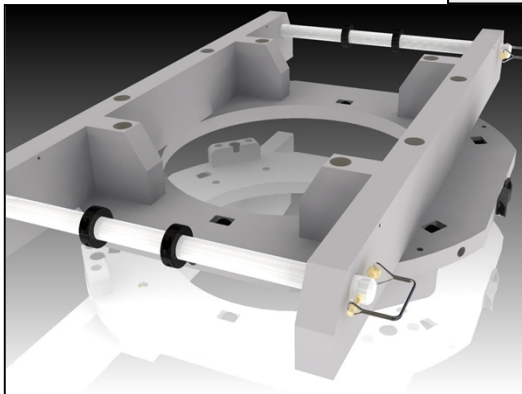
Seal Housing Guide Stud Carriage

- Safe and easy transportation of Guide Studs



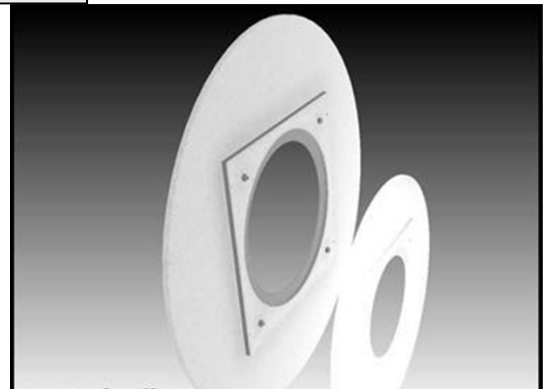
Lock-Cup Staking Tools

- Set of three tools for all sizes of Locking Cups



Seal Coupling Fixture

- Lightweight aluminum construction
- For Installation/removal of Seal Components



RCP Shaft FME Cover

- Provides FME Boundary during Seal Maintenance activities