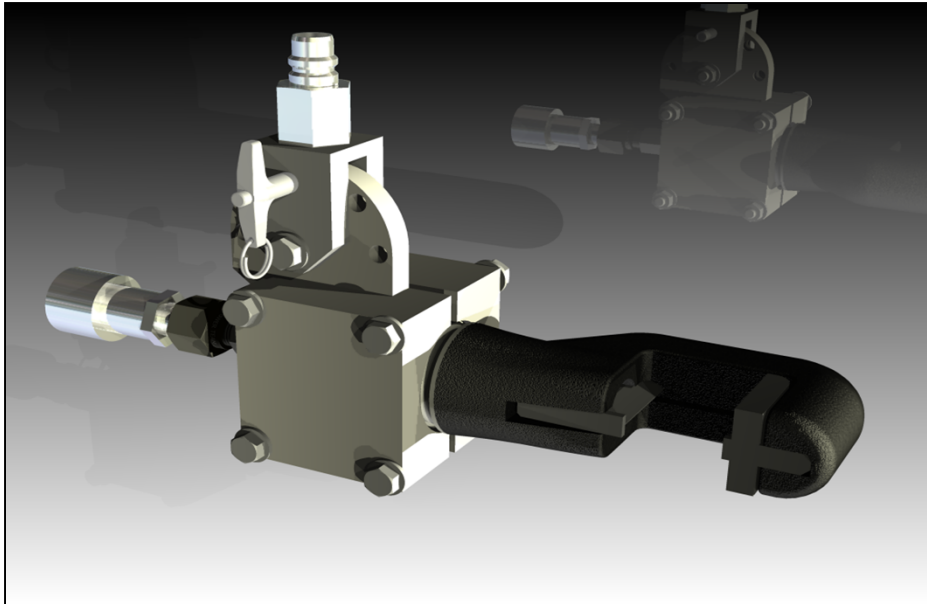


# MASTER-LEE ENGINEERED PRODUCTS INC.

*Master-Lee Engineered Products offers a hydraulic cutter system designed primarily for underwater applications.*



*Hydraulic C-Cutter System with Articulating Wrist - Part D0309G01*

Initially developed to cut flux thimble guide tubes/detectors for disposal, the system can be used for most any type of underwater cutting application.

Hydraulic pressure is supplied to a "C" type cutter from the 115 vac electric pump unit. The power unit is capable of producing 10,000 psi which translates to 17,000 pounds of cutting force (sufficient to cut a 3/4 inch steel rod or 1/2 Grade 3 steel bolt using the "C" cutter).

The hydraulic fluid is a nuclear compatible water soluble liquid (i.e.. U-CON WS-34) approved at numerous stations throughout the world.

The system comes standard with a "C" type cutter head. It weighs 8.7 lbs. and is 4" wide by 15" long.

Attachable to the cutter is a heavy duty articulating wrist. The wrist enables the operator to connect to the Master-Lee EPI AirGrips system AND to preset the cutter angle. Five positions are selectable on the wrist. An easy to use eccentric ball lock pin holds the wrist in position.

Hydraulic Cutter System includes:

- (1) Electric Hydraulic Pump
- (1) Control Valve Assembly
- (1) 50' Hydraulic Hose
- (1) "C" Cutter Head
- (1) Cutter Articulating Wrist

*For additional information  
contact Master-Lee EPI at:*

**800/537-6007**

**724/537-6002**

**FAX 724/537-9285**

Master-Lee EPI

5631 Route 981

Latrobe, PA 15650

[www.masterlee.com](http://www.masterlee.com)



H  
Y  
D  
R  
A  
U  
L  
I  
C  
  
C  
U  
T  
T  
E  
R  
  
W  
I  
T  
H  
  
W  
R  
I  
S  
T