

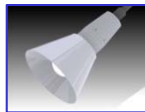
MASTER-LEE ENGINEERED PRODUCTS INC.

*The Master-Lee Engineered Products Underwater
Area Drop Light is designed to last*



*Bright, reliable,
rugged and
economical* - best
describes the EPI
Area Drop Light.
The machined body of
the light is made of
stainless steel. The
clear globes are made
of high strength
polycarbonate Lexan).

*Area Drop Light - Part# D0009G01 -GFI
Optional Vertical Light Reflector- Part #
D1382*



The EPI **Area Drop Light** is commonly used throughout the nuclear industry for fuel movement, fuel inspection, reactor cavity and spent fuel pool temporary lighting, or wherever localized underwater illumination is needed.

The 120 vac, 2,000 watt GFI tungsten-halogen bulb is water cooled and easily changed with our light bulb removal tool.

The permanently attached 100 ft. neoprene power cord is standard.

This economical lighting system comes complete with two - 2,000 GFI watt bulbs and two clear globes. We recommend replacement of the globes every two outages.

The Master-Lee EPI **Area Drop Light**, like all other EPI products, was designed and field tested by some of the most experienced field service specialists in the world. This fixture is built for quick on-the-spot serviceability.

*The EPI
Underwater Area
Drop Light is the
logical and
practical
solution to your
underwater
lighting
requirements.*



Removal Light Bulb Tool



*For additional information
contact Master-Lee EPI at:*

800/537-6007

724/537-6002

FAX 724/537-9285

Master-Lee EPI

5631 Route 981

Latrobe, PA 15650

www.masterlee.com



A
R
E
A

D
R
O
P

L
I
G
H
T

MASTER-LEE ENGINEERED PRODUCTS INC.

The Area Drop Light Bulb

This is notice to our customers that Master-Lee Engineered Products is no longer offering the Area Drop Light in a non-GFI configuration.

Discontinued Items

Item Name: Master-Lee Engineered Products Area Drop Light Assembly
Part Number: D0009G01

Item Name: Master-Lee Engineered Products Area Drop Light Bulb
Part Number: D0009H04

Replacement Items

Item Name: Master-Lee Engineered Products Area Drop Light Assembly
Part Number: D0009G01-GFI

Item Name: Master-Lee Engineered Products Area Drop Light Bulb
Part Number: D0009H04-GFI

In our continuing efforts to improve our products and meet our customer's needs, we are now only offering the Area Drop Light in a GFI-ready configuration. In the GFI-ready configuration, the standard 2000 watt bulb comes with a custom-molded silicon seal. Two bulbs are packaged with each light assembly. Replacement bulbs are sold with the seal installed, ready to be used in an existing Area Drop Light Assembly.

The seal surrounds the base of the bulb and keeps water from entering the bulb socket. This allows the light assembly to work in conjunction with a ground fault circuit interrupter (GFI). The GFI-ready light assembly has been used in the nuclear industry for several years already and has proven to work well for customers who are required to use the ground fault circuit protectors



Standard Bulb and GFI-ready Bulb

For additional information contact Master-Lee EPI at:

800/537-6007

724/537-6002

FAX 724/537-9285

Master-Lee EPI

56  

Latrobe, PA 15650

www.masterlee.com

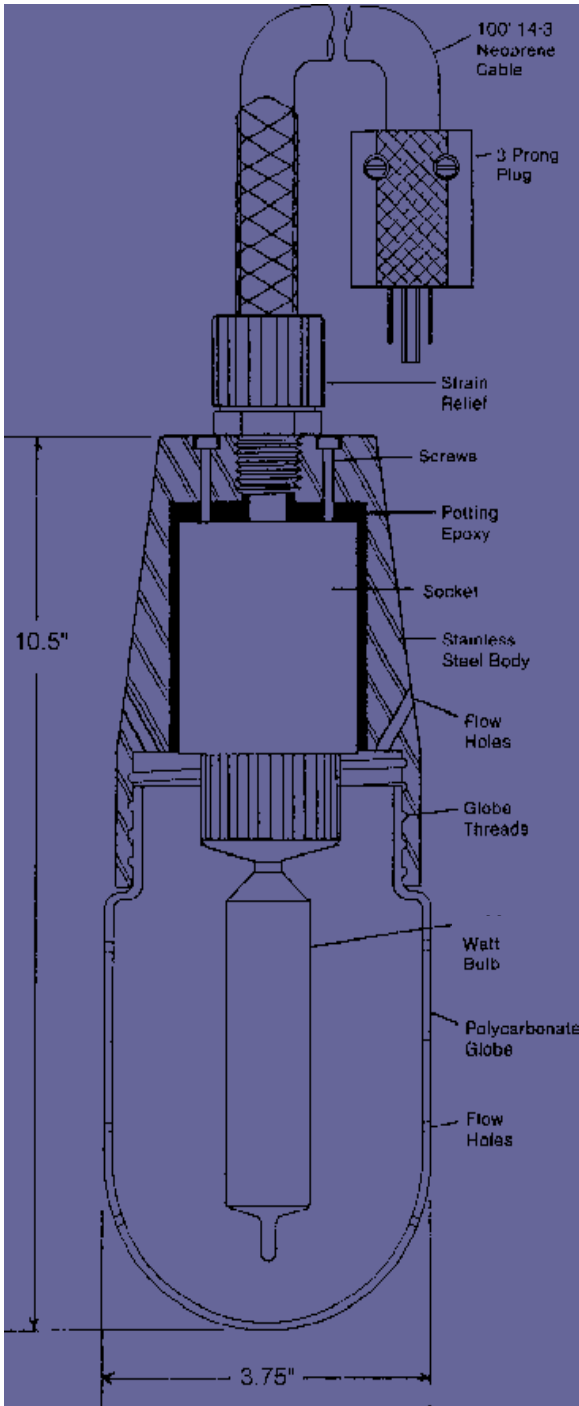
A
R
E
A

D
R
O
P

L
I
G
H
T

MASTER-LEE ENGINEERED PRODUCTS INC.

The Area Drop Light Package



The Area Drop Light Package includes:

- Light Body
- 100 foot Cable with 20 amp Plug
- Clear Globe (2)
- 2 - 2000 Watt GFI Bulbs

Specifications:

Length	10.5 inches
Diameter	3.75 inches
Weight	5 pounds (body only)
Body	304 Stainless Steel
Globe	Lexan
Cable	12-3 Neoprene

Environmental:

Temperature 350°F
Deminerlized Water
10⁷ RADS Minimum Life

Electrical:

120 VAC
2,000 Watts
59,000 Lumens

Bulb Life:

200 Hours Average